

MULTI CYCLONE ULTRA

A revolution in pool filtration



MultiCyclone Ultra combines centrifugal and cartridge filtration into one streamline housing, creating an ultra compact filtration system that can be vertically installed on a pool pump.

Dual stage filtration

Ultra compact

Ease of maintenance

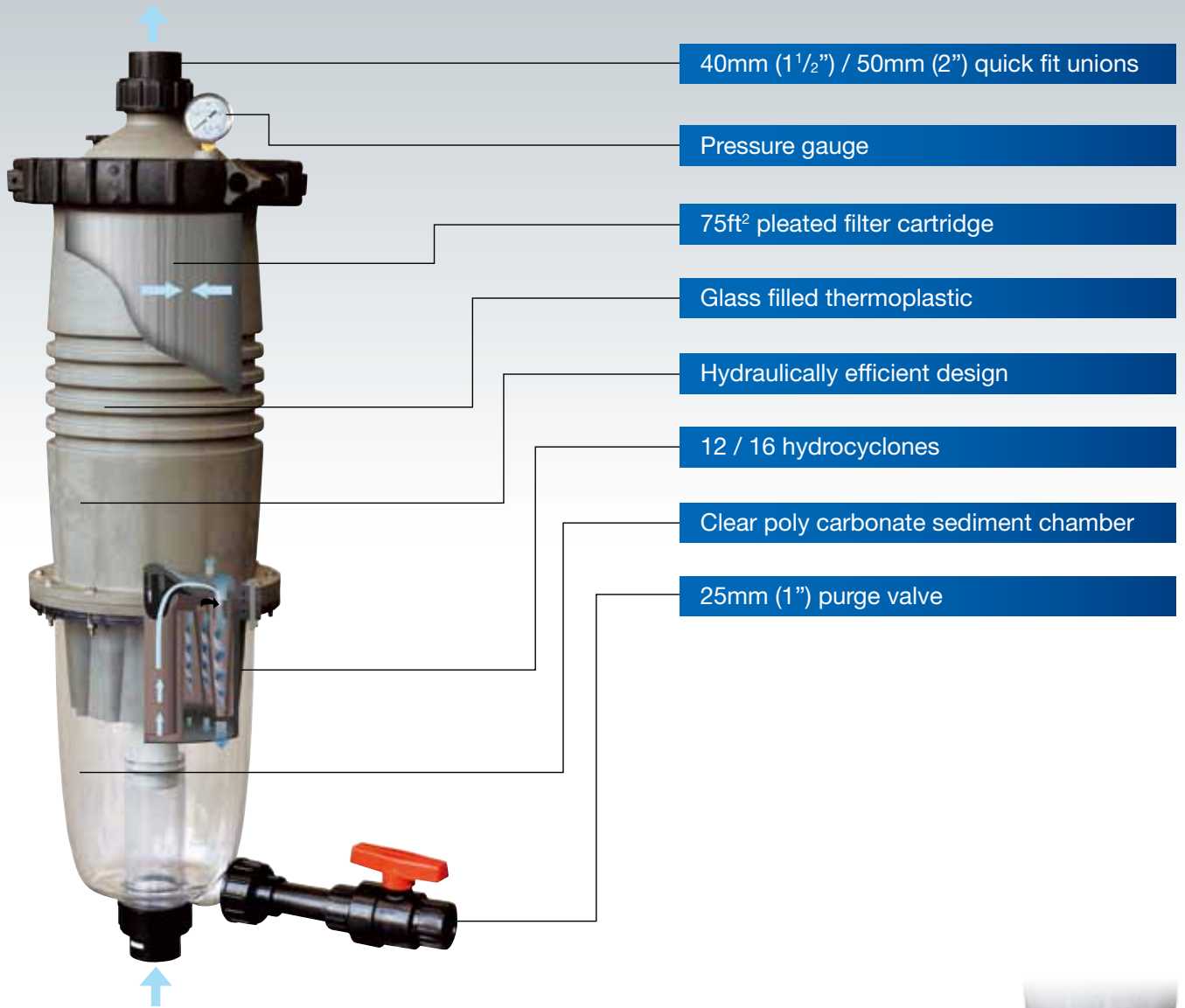
Save time, water and energy

MULTI  CYCLONE 16 ULTRA

MULTI  CYCLONE 12 ULTRA

Dual stage filtration

Incoming water tangentially enters its multiple hydrocyclones, generating a strong centrifugal effect. Approximately 80% of the incoming dirt load is spiralled down to its clear sediment chamber. The outgoing water is finally polished via its inbuilt cartridge filter, producing crystal clear water.



Extended filter capacity

As MultiCyclone Ultra's centrifugal section filter pre-filters up to 80% of the incoming dirt load, the capacity of its 75ft² filter cartridge is magnified by up to 5 times.

Ease of maintenance

MultiCyclone Ultra's sediment chamber is easily cleaned by opening its purge valve. Only 15 litres of water is discharged.



Ultra compact

MultiCyclone Ultra's streamline design combines the benefits of the Waterco award winning MultiCyclone prefiltration and a compact cartridge filter that enables a reduction in pool equipment foot print and required pipe work, reducing the filtration system overall head loss. The MultiCyclone Ultra can also be mounted using the MultiCyclone support stand.



Note: It is recommended when installing the MultiCyclone Ultra directly to the pump as illustrated, the MultiCyclone Ultra should be supported to ensure stability.

MultiCyclone Support Stand

The MultiCyclone support stand suits all MultiCyclone models. This is a great alternative if the height of the installation is prohibitive.



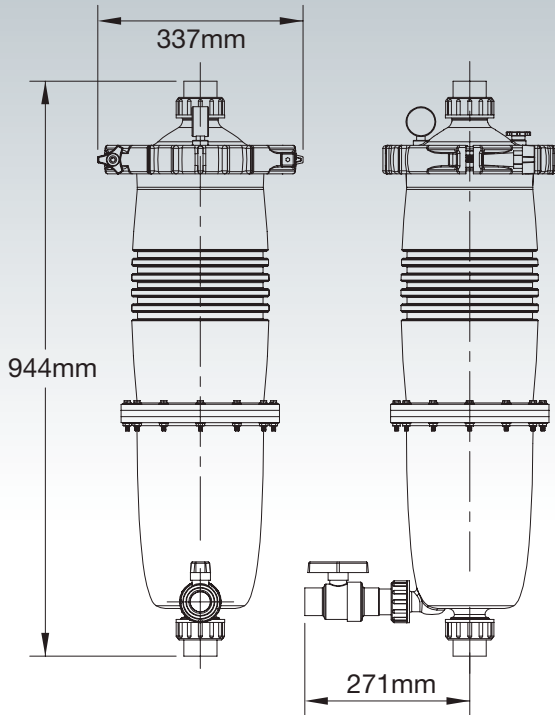
Specifications

Model	Hydrocyclones	Connection Ports	Minimum Flow	Maximum Flow	Filter Area	Maximum Pool Size	Maximum Pressure
MultiCyclone12 Ultra	12	40mm / 1 1/2"	40lpm	225lpm	6.9m ² / 75ft ²	108,000l	350 kPa (50psi)
MultiCyclone16 Ultra	16	50mm / 2"	50lpm	280lpm	6.9m ² / 75ft ²	134,000l	350 kPa (50psi)

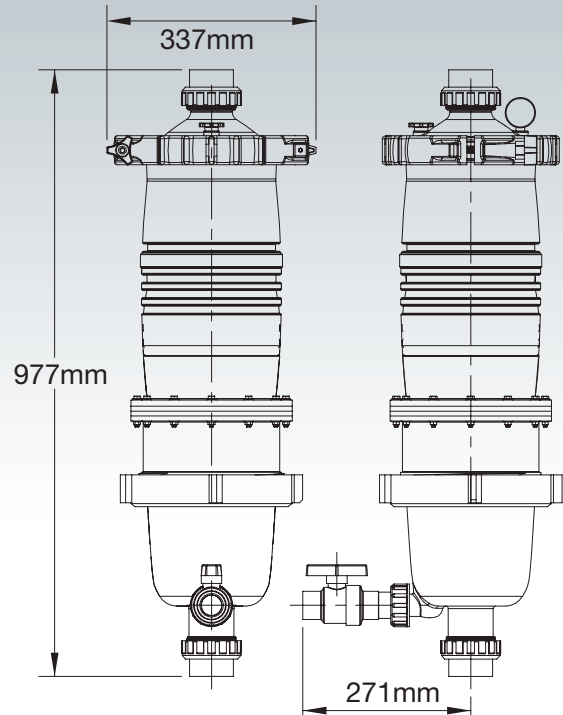
Maximum flow is limited by the surface area of the filter cartridge. Residential Cartridge Design Filtration Rate: 41 lpm/m² (1gpm/ft²)

Dimensions

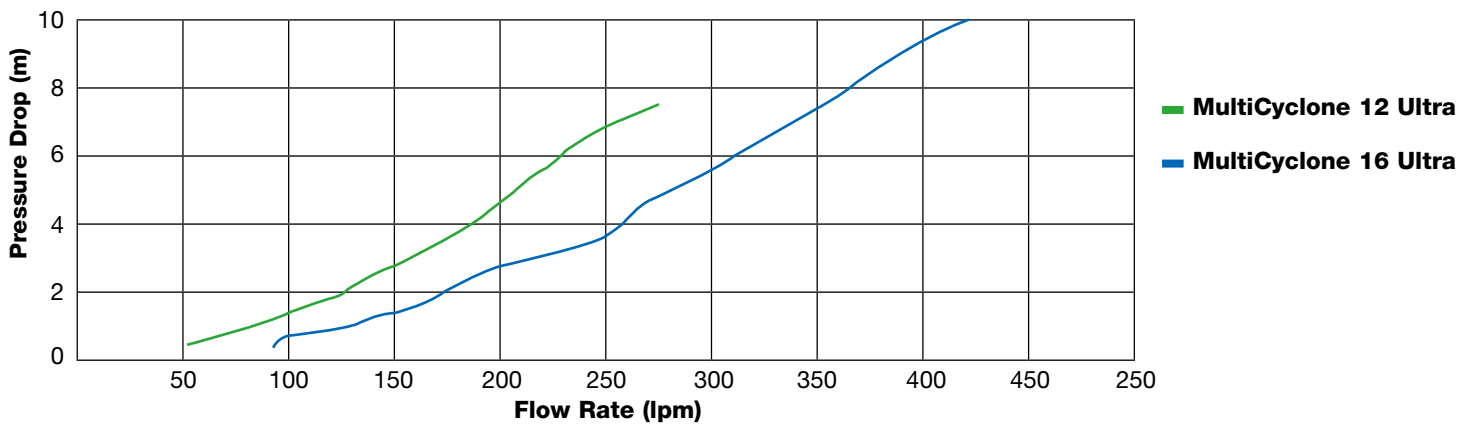
MultiCyclone 12 Ultra



MultiCyclone 16 Ultra



Head Loss Curves



Warranty

MultiCyclone Ultra is covered by a 2 year warranty and 1 year warranty on labour. Commercial installations are covered by a 1 year warranty.

OFFICES - AUSTRALIA

NSW - Sydney (Head Office)
Tel: +61 2 9898 8600
QLD - Brisbane
Tel: +61 7 3299 9900
VIC/TAS - Melbourne
Tel: +61 3 9764 1211
WA - Perth
Tel: +61 8 9273 1900
SA/NT - Adelaide
Tel: +61 8 8244 6000
ACT Distribution
Tel: +61 2 6280 6476

OFFICES - OVERSEAS

Waterco (Europe) Limited
Sittingbourne, Kent, UK
Tel: +44 (0) 1795 521 733
Waterco (USA) Inc
Augusta, Georgia, USA
Tel: +1 706 793 7291
Waterco Canada
St Hyacinthe, Quebec, Canada
Tel: +1 450 796 1421
Waterco (NZ) Limited
Auckland, New Zealand
Tel: +64 9 525 7570

Waterco (C) Limited
Guangzhou, China
Tel: +86 20 3222 2180

Waterco (Far East) Sdn Bhd
Selangor, Malaysia
Tel: +60 3 6145 6000

PT Waterco Indonesia
Jakarta, Indonesia
Tel: +62 21 4585 1481

Waterco Singapore Intl Pte Ltd
Nehsons Building, Singapore
Tel: +65 6344 2378

Waterco Singapore Intl Pte Ltd
Nehsons Building, Singapore
Tel: +65 6344 2378

Waterco France
SAINT PRIEST, France.
Tel: +33 4 72 79 33 30

DISTRIBUTED BY:

WATERCO
water, the liquid of life

